

GraviMaster

Dosing of dry, free-flowing
thermoplastic materials



NEW!
Enhanced model

Labotek
Power in Plastics

GraviMaster

Labotek GraviMaster 50, 100, 200, 300, 600, 1000, 1500 and 3000 Batch Blenders can accommodate multiple components while providing throughput rates from 50 to 3000 kg/hr, depending on model.

Labotek GraviMasters utilizes a special design slide valve with a patented reverse-flight auger mixing technology. This combination provides superior accuracies, blend ratios and mixing homogeneity that is not achievable by competitive systems.

All components are blended by weight, based on the present blend ratios entered on the touch screen. Each component is metered separately into a single weigh hopper, which measures and controls their percentage.

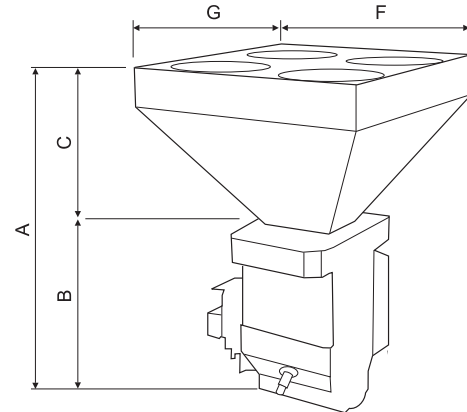
- Faster product changes
- Continuous homogeneous mixing
- Increased regrind usage
- Product consistency
- High accuracy dispensing up to 0.01% of batch

User interface

- Intuitive simple operator functionality
- Comprehensive Report/Alarm management
- Built-in Trending & Data history management
- Industry standard communication protocols

Options

- Extrusion control
- Powder dosing
- Flange adapters
- Offline blending
- Automatic cleaning
- Integrated material handling



Type	50	100	200	300	600	1000	1500	3000
Capacity (kg/h)	50	100	175	300	500	1000	1500	3000
Reservoir hopper volume per comp. (LT)	12	12	12	35	35	32	32	110
Standard no. material components	4	4	4	4	4	4/6	4/6	6/8
Optional additional material components	+2	+2	+2	+2	+2	+4	+4	+4
Standard batch weight capacity (kg)	0.6	0.8	1.2	2	4	7.5	12	25
Mixing motor	1 Ø	1 Ø	1Ø	3Ø	3Ø	3 Ø	3 Ø	3 Ø
Motor (HP)	0.25	0.25	0.25	0.25	0.25	0.36	0.36	1
Motor (KW)	0.18	0.18	0.18	0.18	0.18	0.27	0.27	0.75
Blender weight (kg)	50	50	50	75	80	115	125	225
Max. material temp. (°C)	70	70	70	70	70	70	70	70
* Max. optional material temp. (°C)	130	130	130	130	130	130	130	130

Dimensions

A - Blender height (mm)	889	889	889	1096	1161	1526	1576	1924
B - Mixing chamber height (mm)	511	511	511	585	650	913	963	1120
C - Reservoir hopper height (mm)	378	378	378	511	511	613	613	804
F - Hopper bin front width (mm)	640	640	640	750	750	760	760	1000
G - Hopper bin side width (mm)	640	640	640	750	750	760	760	1000

*) Contact us for more details on high temperature applications

Labotek A/S

Stroebjergvej 29, DK-3600 Frederikssund
Tel +45 4821 8411 | Fax +45 4821 8000
info@labotek.dk | www.labotek.com

Labotek
offers 3 years
warranty

- excluding wear parts

Labotek
Power in Plastics